

Product Specification

4G LTE ANTENNA

ANTLTE2F



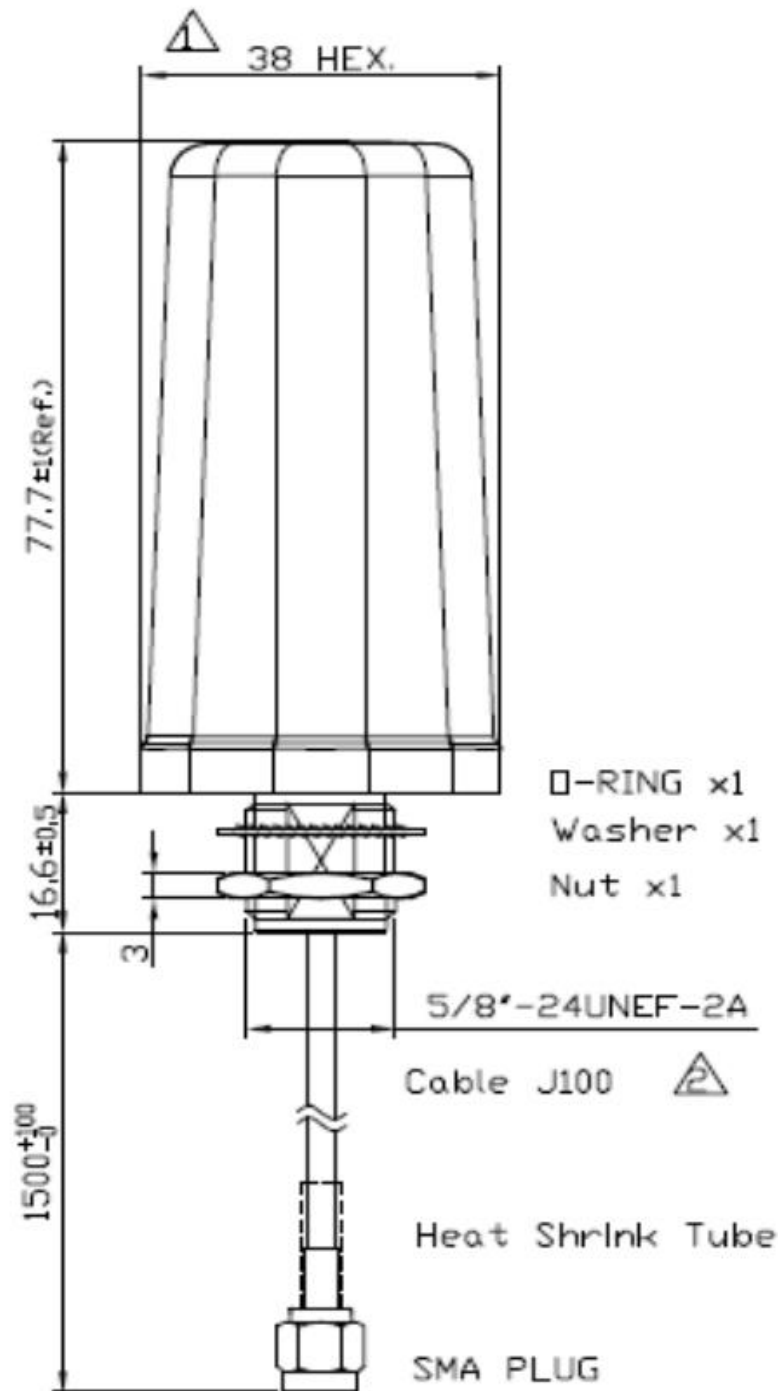
Overview

The ANTLTE2F is a low profile, ground independent omni directional antenna designed to cover LTE, 3G850, GSM900/1800, PCS1900, 3G2100 and ISM 2.4-2.5GHz. Its robust design and low visual impact make it perfect for fixed and mobile data applications. It has a 16mm stud mount with an integrated rubber O-ring seal.

Specifications

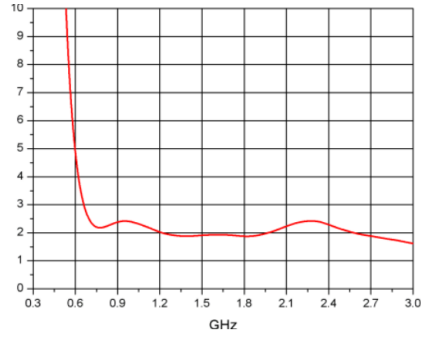
Electrical Specifications	
Frequency	698-960 / 1710-2170 / 2300-2700
Gain	2 dBi @ 698-960MHz, 3 dBi @ 1710-2170MHz, 5dBi @ 2400-2700MHz
VSWR	Less than 2.5:1
Connector	FME/F
Cable	RG58
Impedance	50 Ω
Mechanical Specifications	
Waterproofness rating	IP65
Mounting Mechanism	Wall / Panel
Height (incl. base)	77.7 mm
Diameter (incl. base)	38 mm
Weight	170g
Material	Polycarbonate
Temperature Rating	-40°C to +70°C

Dimensions

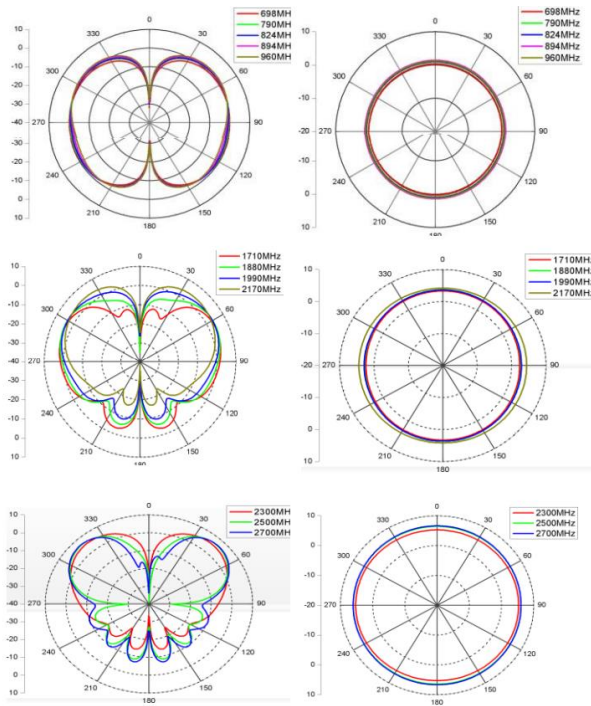


Figures

Return Loss (VSWR)



Radiation Patterns





go anywhere communication and data transfer



<https://www.facebook.com/Intercel-775004365883748>



www.linkedin.com/company/intercel



www.intercel.com.au  33 Glenvale Crescent Mulgrave VIC 3170 Australia



intercel@intercel.com.au



+61 (0) 3 9239 2000